



## MODEL 1000



3/4"

1"

1 1/4"

1 1/2"

2"



USA PATENT #4741361 AND OTHER PATENTS PENDING

- ❑ The AGF Manufacturing Inc. **Model 1000 TEST AND DRAIN** Provides Both The Test Function And The Express Drain Function For A Wet Fire Sprinkler System.
- ❑ The **Model 1000** Complies With All Requirements Of NFPA-13, NFPA-13R, And NFPA-13D.
- ❑ The **Model 1000 TEST AND DRAIN** Is A Single Handle Ball Valve That Is Light Weight And Compact, Includes A Tamper Resistant Test Orifice, Integral Tamper Resistant Sight Glasses, And Is 300 PSI Rated.
- ❑ Available In A Full Range Of Sizes From 3/4" To 2" NPT & BSPT, With All Specifiable Orifice Sizes 3/8", 7/16", 1/2", 17/32", 5/8" (ELO), & 3/4" (ESFR).
- ❑ The Orifice Size Is Noted On The Indicator Plate And The Valve Is Tapped For A Pressure Gauge.
- ❑ The Standard **Model 1000 TEST AND DRAIN** Valve Includes A Pressure Gauge Port Tapping And Can Be Ordered With A Relief Valve As A **Model 1011** Or **1011T**
- ❑ Locking Kit Available Which Provides Superior Vandal Resistance And Prevents Unintentional Alarm Activation.

Check Out Our New AutoCAD Site!  
Visit us  
on the Internet  
at

[www.testandrain.com](http://www.testandrain.com)





MODEL 1000

300 PSI



# TEST AND DRAIN®

3/4"

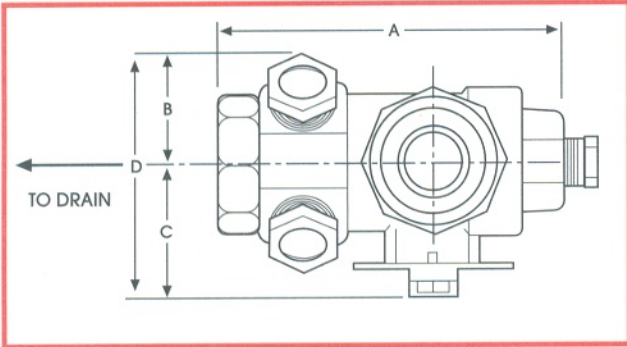
1"

1 1/4"

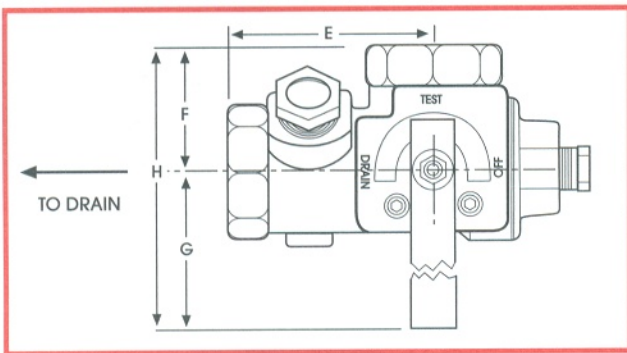
1 1/2"

2"

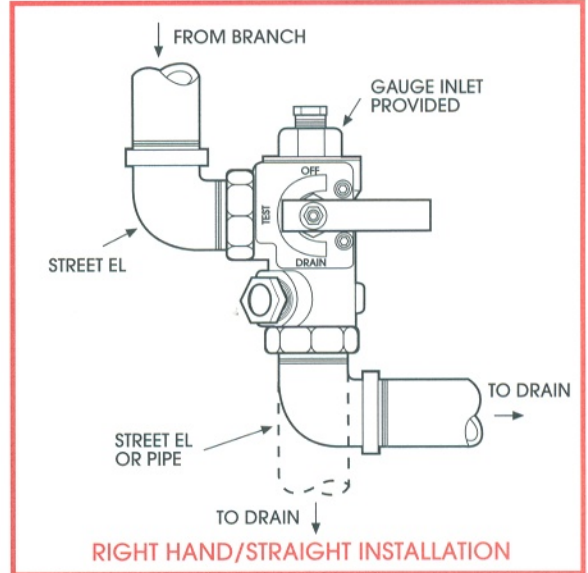
PLAN VIEW



FRONT VIEW/HORIZONTAL INSTALLATION



FRONT VIEW/VERTICAL INSTALLATION



**APPROVALS:**

- UL and ULC Listed
- FM Approved except 3/4"
- NYC-BSA NO. 720-87-SM
- CA. State Fire Marshall

**ORIFICE SIZE**

AVAILABLE – 3/8", 17/16", 1/2", 17/32", ELO(5/8"), ESFR(3/4)"\*

\*Available on 1 1/2" to 2" size units only.

**DIMENSIONS – INCHES**

SIZE	A	B	C	D	E	F	G	H
3/4"***	5 1/16" 128mm	1 1/2" 37.58mm	2 3/16" 55.65mm	3 5/8" 93.23mm	3 3/8" 85.88mm	1 13/16" 45.30mm	4 9/16" 117.12mm	6 3/8" 162.42mm
1"	5 1/16" 128mm	1 1/2" 37.58mm	2 3/16" 55.65mm	3 5/8" 93.23mm	3 3/8" 85.88mm	1 13/16" 45.30mm	4 9/16" 117.12mm	6 3/8" 162.42mm
1 1/4"	5 7/16" 137.70mm	1 11/16" 42.70mm	2 9/16" 65.36mm	4 1/4" 108.36mm	3 5/16" 82.84mm	1 15/16" 50.89mm	5 9/16" 141.39mm	5 1/2" 192.28mm
1 1/2"	6 7/16" 163.38mm	1 13/16" 45.50mm	3 1/4" 81.50mm	5 1/16" 127mm	3 7/8" 99.18mm	2 5/8" 66.97mm	8 1/4" 206.63mm	10 7/8" 273.60mm
2"	6 7/16" 163.38mm	1 13/16" 45.50mm	3 1/4" 81.50mm	5 1/16" 127mm	3 7/8" 99.18mm	2 5/8" 66.97mm	8 1/4" 206.63mm	10 7/8" 273.60mm

\*\*3/4" Valve UL listed only.

**MATERIAL LIST**

PART:	MATERIAL:
HANDLE	STEEL
STEM	ROD BRASS
BALL	C.P. BRONZE
BODY	BRONZE
SIGHT GLASS	LEXAN®
VALVE SEAT	IMPREGNATED TEFLON
INDICATOR PLATE	STEEL
HANDLE LOCK	SPRING STEEL

USA PATENT #4741361 AND OTHER PATENTS PENDING

UL LISTING EX4019

**AGF MANUFACTURING INC.**  
 100 Quaker Lane  
 Malvern, PA 19355 USA  
 Telephone: (610) 240-4900  
 Fax: (610) 240-4906  
 www.testandrain.com



JOB NAME: \_\_\_\_\_  
 ARCHITECT: \_\_\_\_\_  
 ENGINEER: \_\_\_\_\_  
 CONTRACTOR: \_\_\_\_\_