



CEODEUX
FIRETEC

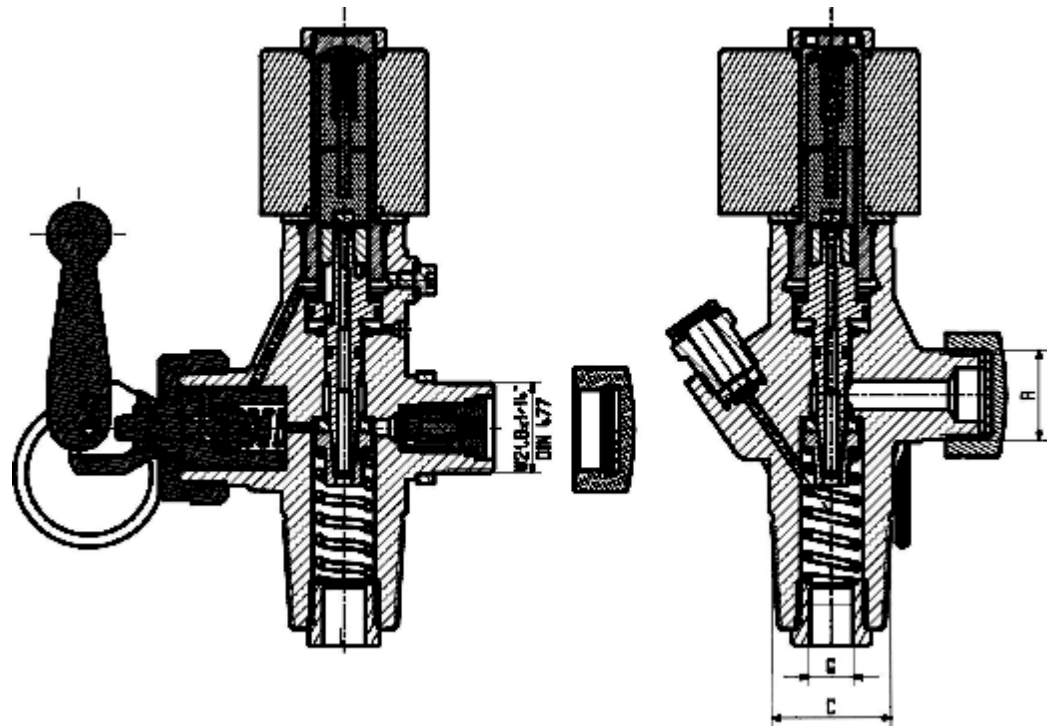
**Solenoid valves for
fixed installations,
CO2**



B
Series
B0439

STANDARD SPECIFICATION

Working pressure p max.	250 bar
Temperature range	- 20°C + 60°C
Seat orifice size	7 mm
Discharge rate CO2	45 kg / min
Discharge rate	Kv = 0,69, Cv = 80
Operating	total discharge
Material	
Valve body	brass
Inlet connection	C = 25E EN 629-1
Outlet connection	A = W 21,8 x 1/14" DIN 477
Dip tube connection	G = M 10 x 0,75
Burst disc	p = has to be specified
Electrical specifications:	
Operating voltage	24 V DC
Power consumption	10 Watts



OPTIONS

- Operating: intermittent
- Special inlet
- Special outlet
- Operating voltage 12 V DC or 230 V DC
- Explosion / flame proof solenoid

ORDERING

When ordering please specify:

- Series number
- Burst disc pressure "p"
- Options