

R250D - Standard port ball valve,



Code	Size	<input type="checkbox"/>	<input type="checkbox"/>
R250X001	1/4"	20	200
R250X002	3/8"	10	100
R250X003	1/2"	10	100
R250X004	3/4"	5	50
R250X005	1"	5	50
R250X006	1 1/4"	5	25
R250X007	1 1/2"	4	20
R250X008	2"	2	10
R250X009	2 1/2"	2	6
R250X010	3"	2	4
R250X011	4"	2	
R250X021	1/4" *	20	200
R250X022	3/8" *	10	100
R250X023	1/2" *	10	100
R250X024	3/4" *	5	50
R250X025	1" *	5	50
R250X026	1 1/4" *	5	25
R250X027	1 1/2" *	4	20
R250X028	2" *	2	10
R250X029	2 1/2" *	2	6
R250X030	3" *	2	4
R250X031	4" *	2	

Standard port ball valve, red lever handle, chrome plated * R250DG : yellow level handle In accordance with EN331/98 European standard



(technical communication n° 6-001)



R250D Ball valve

Features

Features

The R250D lever ball valve has been carefully designed and tested in order to offer a product of high quality, having safety features over and above most other ball valves making it extremely difficult to beat. One particular feature is the assembly of the operating stem. Most ball valves have the stem assembled from the outside (this kind of design is forbidden in many countries, especially if the valve is being used with dangerous fluids such as natural or town gas).

For obvious safety reasons the stem of the Giacomini valve is assembled from the inside of the valve thus protecting it from vandalism or sabotage. The stem is held secure by a special anti-friction washer. It cannot be withdrawn and judging by experiences throughout the world it is a safe and sound precaution recommended when used in domestic premises. The valve has been designed so that loss of pressure is minimal however a graph is available for each size of valve. Developed following full and comprehensive laboratory tests our valves comply with the requirements of international Standard Institutes.

technical data
Materials
Dimensions

[HOME](#)

Technical data

From 1/4" to 3/4":
- working with water, oil, gas 600 PSI (42 bar)
- working with saturated steam up to 150 PSI (10,5 bar) corresponds a temperature of 185°C.

From 1" to 2":
- working with water, oil, gas 500 PSI (35 bar)
- working with saturated steam up to 150 PSI (10,5 bar) corresponds a temperature of 185°C.

From 2 1/2" to 4":
- working with water, oil, gas 400 PSI (28 bar)
- working with saturated steam up to 150 PSI (10,5 bar) corresponds a temperature of 185°C.

Features
technical data
Materials
Dimensions

[HOME](#)

Materials

The ball valve is in forged brass BRS 58.

The ball is nickel and chromium plated after diamond finishing.

All moving metal parts have teflon seals.

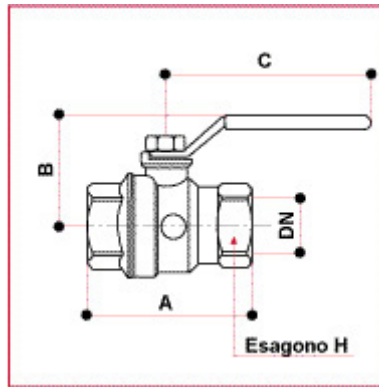
Seal on the spindle: 2 PTFE washers and 1 viton O-Ring.

Features
technical data
Materials
Dimensions

[HOME](#)

Dimensions

Features
technical data
Materials
Dimensions



	DN	A	B	C	H	KV
1/4"	8	39	26	42	17	6,6
3/8"	10	45	32	78	21	6,7
1/2"	15	54	34	78	25	10,2
3/4"	20	62	45	96	32	18,5
1"	25	75	50	96	39	36,3
1"1/4	32	84	54	96	48	73,5
1"1/2	40	93	68	138	54	105
2"	50	107	74	138	67	158
2"1/2	65	143	101	172	83	240
3"	80	160	109	172	98	269
4"	100	203	131	165	123	461

HOME