





A61 Test and Drain valve

A61 - Test and drain valve



Size		
1" (orifice 1/2")	1	5
1 1/4" (orifice 1/2")	1	5
1" (orifice 17/32")	1	5
1 1/4" (orifice 17/32")	1	5

Test and drain valve FEMALE x FEMALE

Standard equipment

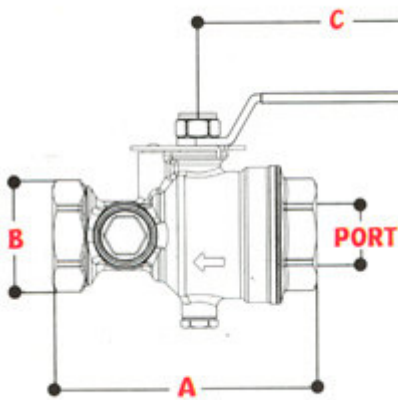
Female NPT inlet and outlet, forged brass body, chrome plated ball with teflon seats.

Products

Test and drain valve
Female x Female

1" (orifice 1/2")
1 1/4"(orifice 1/2")
1" (orifice 17/32")
1 1/4" (orifice 17/32")

Dimensions



	PORT	A	B	C
1" (orifice 1/2)	1 7/64"	5 1/32"	2 45/64"	5 11/32"
1" (orifice 17/32")	1 7/64"	5 1/32"	2 45/64"	5 11/32"
1 1/4" (orifice 1/2")	1 7/64"	5 1/32"	2 45/64"	5 11/32"
1 1/4" (orifice 17/32")	1 7/64"	5 1/32"	2 45/64"	5 11/32"

Inspection and test of the wet pipe sprinkler system

The initial test required on a wet pipe automatic sprinkler system is the hydrostatic test at not less than 200 psi for two hours, or 50 psi in excess of the static pressure, when the maximum static pressure exceeds 150 psi. During the hydrostatic test there should be no visible leakage from the sprinkler system piping.

The underground mains leading to the sprinkler system should always be thoroughly flushed before the mains are connected to the system. A weekly inspection of all water control valves and alarm control valves is recommended to be certain they remain open. (Giacomini A200 valves have green indicator to see their open or closed position from 50 ft distance)

System Test Connections

Wet Systems

A test connection not less than 1 in. (25 mm) in diameter, terminating a smooth bore corrosion resistant orifice, given a flow equivalent to one sprinkler of a type having the smallest orifice installed on the particular system, shall be provided to test each waterflow alarm device for each system. The test connection valve shall be readily accessible. The discharge shall be to the outside, to a drain connection capable of accepting full flow under system pressure or to another location where water damage will not result.

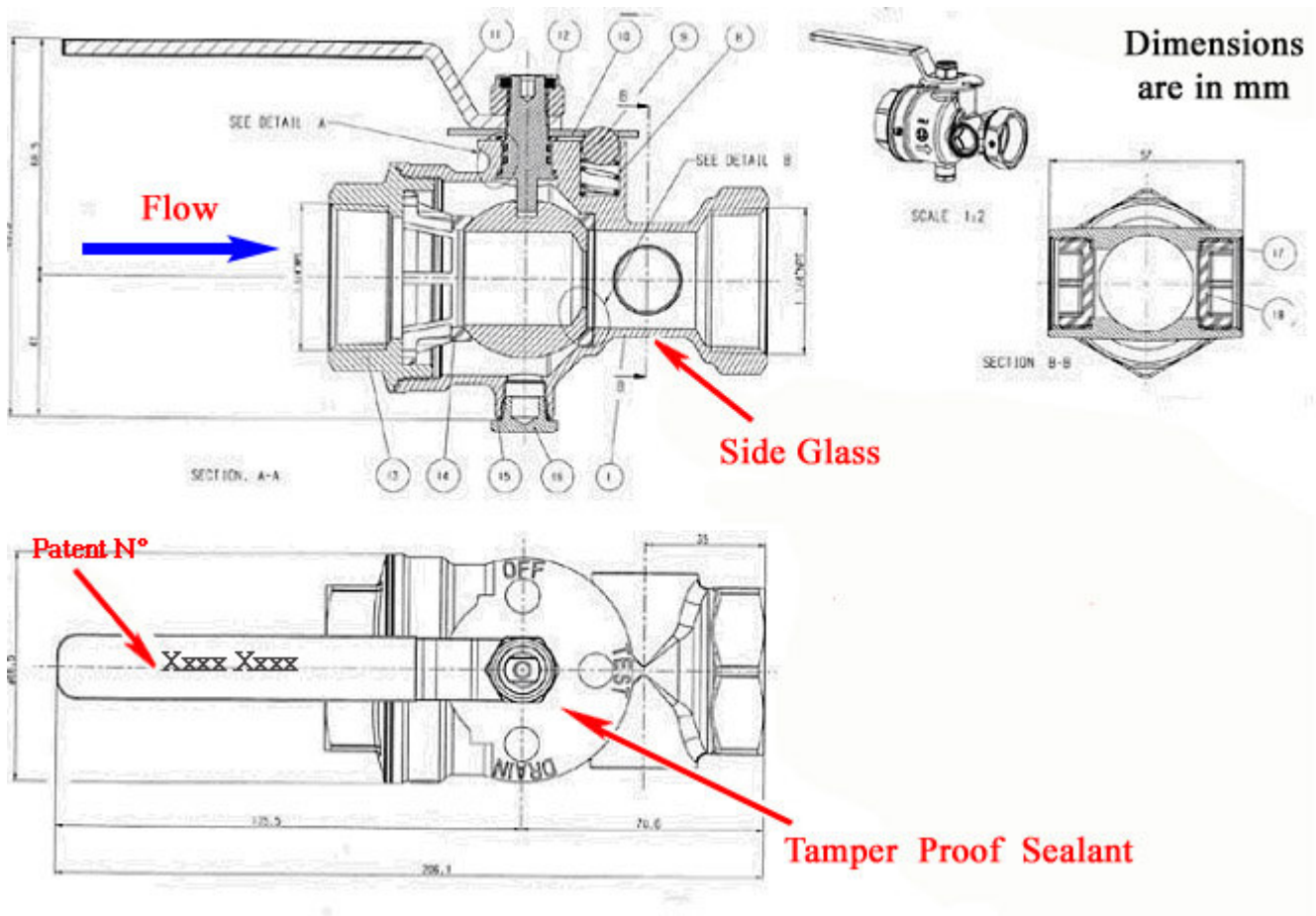
Drainage

All sprinkler pipes and fittings shall be so installed that the system may be drained

Giacomini Test and Drain valve merges in one valve the above two functions of testing and draining the system.



Connections to the branch line (a and b) 1" and 1 1/4"
Orifice 1/2" or 5/8" size



The valves will be available for two orifices: 1/2 inch and 5/8"

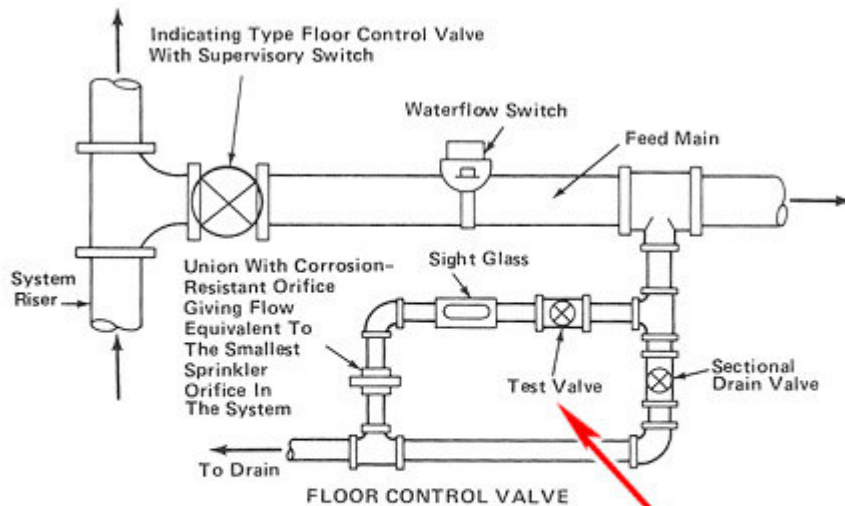
Special patented construction allows the ball to be supported at the flow inlet side by a special plastic housing.

By rotation of the lever handle the valve can be set at:

- OFF position
- Test position
- Drain position

Stem seals: two "O" rings with stem inserted from inside of the valve.

In multistory buildings where waterflow alarm devices are provided at each floor or where more than one alarm device is provided in one sprinkler system, a test type pipe shall be provided for



**The Test and Drain Valve
Giacomini Mod A61,
does the whole function
of this equipment**

The intent of this section is to require inspector's test connection located in a manner which will provide for the testing of all water flow alarm devices.

It permits both an electrically operated alarm and a water motor alarm supplied from an alarm valve to be tested through a single test pipe.

Pressure

Nozzle 2-1/2"
Pressure available at the nozzle Giacomini A7

