

WDR Color Cameras

JCC-WD5120

1/3" Wide Dynamic Range Color Camera



Features

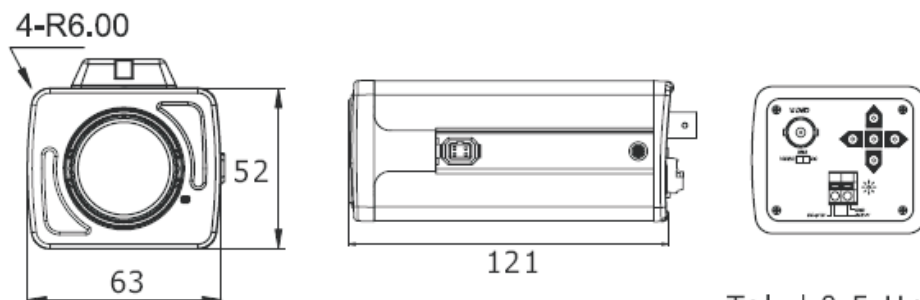
- 1/3" Super Hi-Res.
- Color mode 480TV Lines
B/W mode 520TV Lines
- 1.0Lux@F1.2; Low Shutter Mode:
0.08 Lux@F1.2
- The Latest DPS Technology
- 120dB Max Wide Dynamic Range
- Intelligent Clean Spot
- High Contrast Images
- Back light Environment Available
- Challenge by Bright Light
- DC 12V / AC 24V

Box Cameras

Specification

Model	JCC-WD5120
Pick Up Element	1/3" RGB DPS (Digital Pixel System)
Picture Element	NTSC:768(H) x 494(V) Pixels; PAL:752(H) x582(V) Pixels
Resolution	Color mode 480TV Lines ; B/W mode 520TV Lines
Sensitivity	1.0 Lux@F1.2 ; Low Shutter Mode: 0.08 Lux@F1.2
S/N Ratio	More than 48 dB
Menu	OSD Control
Occasions	Customized/Normal/Indoor/Outdoor/Fluorescence1/Fluorescence2
Named Camera	Title / Location
Brightness Control	ALC / ELC
Wide Dynamic Range	95dB Typical, 120dB Max.
Iris Control	Video/DC
Synchronization	Internal/Line Lock
White Balance	2000 °K~ 11000 °K (Automatic)
Gain Control	ON/OFF
Rising illumination	SLOW SHUTTER / GAIN / B&W SS
Day & Night	Day / Night
Video Output	1.0 Vp-p Composite Video Output; 75 Ohms
Power Supply	DC12V/AC24V
Power Consumption	MAX. 3.5W
Temperature	- 10° ~ +50 °C / RH 85% or Less
Weight	400 Grams
Dimension	63 mm (W) x 52mm (H) x 121mm (L)

Dimension



Tol: ±0.5 Unit:mm