

Wide Dynamic Range Color Cameras

JCC-WD5320

1/3" Wide Dynamic Range Color Camera



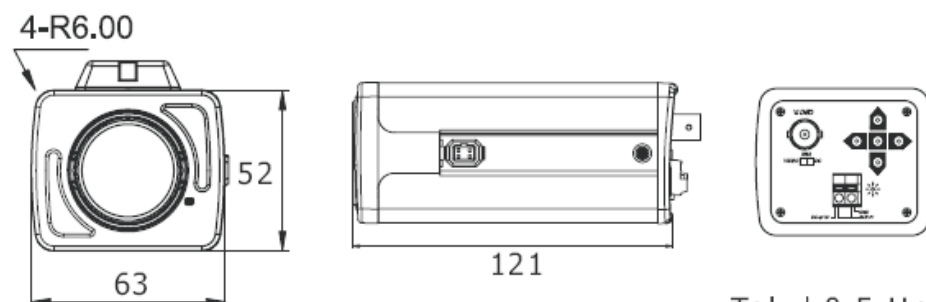
Features

- Advanced digital signal processor (DSP)
- OSD setting menu
- Excellent super-high resolution technology
- Color mode: 520TV Lines/ 0.1Lux@F1.2
B/W mode: 530TV Lines/ 0.002Lux@F1.2
- Support Privacy Function
- 4 Programmable Zones Per Screen
- Color Mode Switches to B/W Mode
- Built-in DNR for noise reduction
- Support Motion Detection Function
- DC 12V / AC 24V

Specification

Model	JCC-WD5320
Pick Up Element	1/3 inch, Interline Transfer CCD
Picture Element	NTSC:811(H) x 508(V) Pixels; PAL:795(H) x 596(V) Pixels
Resolution	Color: 520TV Lines ; B/W : 530TV Lines
Minimum Illumination	Color : 0.1 Lux @ F1.2 (50IRE) ; B/W : 0.002 Lux@F1.2(50IRE) ; Sens-up
S/N Ratio	More than 50dB (AGC OFF, Weight ON) Confirm the E/S step
Menu	OSD control
Color	ON/AUTO SelectableAUTO (Daytime: Color, Night Time: B/W)
Motion Detection	ON/OFF (4 Programmable Zones per Screen)
Dynamic Noise Reduction	LOW/MIDDLE/HIGH/OFF Selectable
Back Light Compensation	LOW/MIDDLE/HIGH/OFF Selectable
Privacy Function	ON/OFF(4 Programmable Zones per Screen)
Camera Title	OFF/ON (Displayed 15 characters)
Brightness Control	ALC / ELC
Wide Dynamic Range (WDR)	x80 normal camera
Iris Control	DC/Video/Manual
Synchronization	Internal/Line Lock
White Balance	ATW/AWC/Manual
Gain Control	Low, Middle, High, OFF Selectable
Electronic Shutter	AES On :1/60(50) sec.~1/100,000 sec. ; Off :1/60(50) sec.
Rising illumination	SLOW SHUTTER / GAIN / B&W SS
Day & Night	ON, Auto
Video Output	1.0 Vp-p Composite Video Output; 75 Ohms
Power Supply	DC12V/AC24V
Power Consumption	MAX. 3.5W
Operating Temperature	- 10° ~ +50 °C / RH 85% or Less
Weight	400 Grams
Dimension	63mm (W) x 52mm (H) x 121mm (L)

Dimension



Tol: ±0.5 Unit:mm